

4001D MAGSIG® NON-INTRUSIVE MAGNETIC SIGNALLER

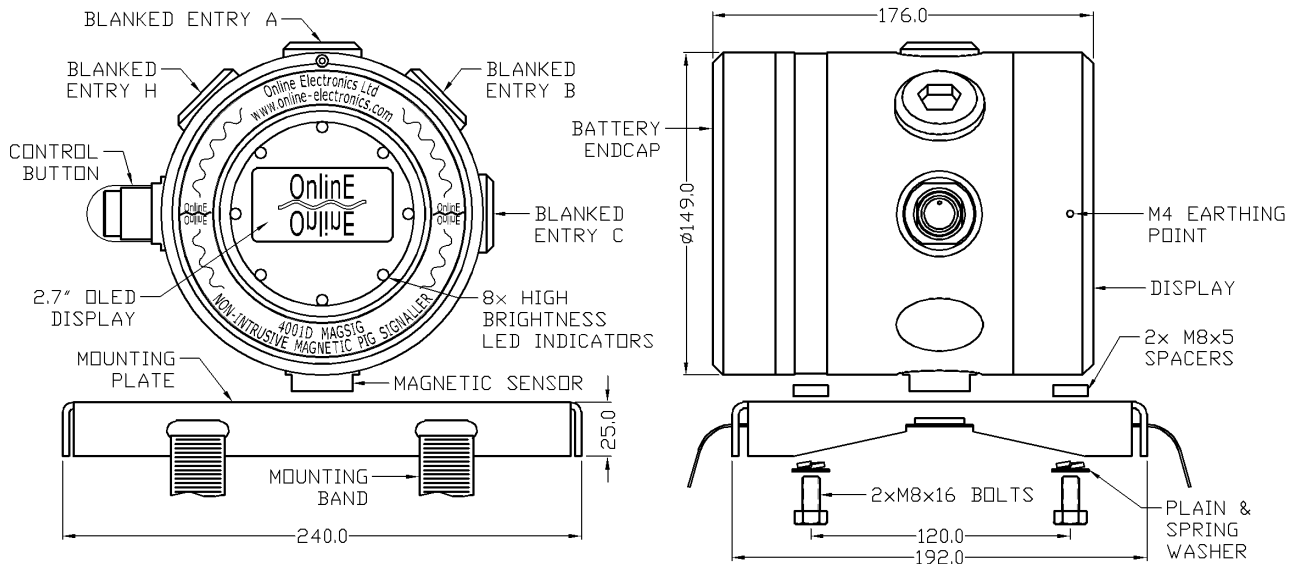
The Online 4001D MAGSIG® is a fully ATEX and IECEx certified, non-intrusive pig signaller which quickly and accurately detects, signals, and logs the passage of magnetic pigs at critical points along a pipeline both on land and offshore.

Key Benefits:

- Use of the 4001D MAGSIG® can result in time and therefore cost savings
- Removes any uncertainty over confirmation of pig passage
- Quick and easy installation using ratchet straps or steel banding
- Minimal set up required ensuring time is not lost setting up multiple parameters
- Versatile – can be installed on any pipeline up to 60" diameter with wall thickness up to 50mm, carrying any medium and with pigs running at varying speeds
- No location restrictions – can be located on major barrel and magnetic sensor can be supplied on a cable up to 10m long for use with buried pipelines or where access is limited.
- Unit can be installed close to pig receiver door, allowing for confirmation that pig has passed isolation valves and easy pig recovery

Events are signalled as they occur via a graphical display and high brightness LEDs positioned around the perimeter of the display. The unit logs the time and date of up to 99 events. Logged events can be viewed locally on the display or transmitted remotely over several optional interfaces. The user can turn the unit ON and OFF as well as modify several settings using the single control button and intuitive menu system.

The detection capabilities vary depending on the background magnetic noise, pig speed, pipeline diameter, wall thickness and the quality of magnets fitted. It is recommended that pigs are fitted with rare earth magnets (neodymium iron boron) to maximise magnetic signal.



GENERAL:

- Battery type7x Alkaline DURACELL ID1300 cells
- Battery life (Alkaline) in LISTENING/LOW POWER MODE at +20°C..... 200 days
- Battery type 7x Lithium SAFT LS33600 cells
- Battery life (Lithium) in LISTENING/LOW POWER MODE at +20°C 400 days
- External supply +21.6VDC to +26.4VDC, <1.0W
- Entries (other options available)4x M20x1.5
- Temperature range (External supply)..... -40°C to +85°C (-40°F to +185°F)
- Temperature range (Alkaline DURACELL ID1300 cells) -20°C to +54°C (-40°F to +130°F)
- Temperature range (Lithium SAFT LS33600 cells)..... -40°C to +85°C (-40°F to +185°F)
- Ingress Protection IP66
- ATEX/IECEX code II 1/2 G Ex d ia [ia Ga] IIC T4..T6Gb
- EC Type Examination Certificate Number TRAC13ATEX0007X
- IECEX Certificate Number IECEX TRC 12.0017X
- Weight in Aluminium..... 5.2kg (11.5lbs)
- Weight in 316L Stainless Steel 11kg (24.3lbs)

STANDARD OUTPUTS:

- DPDT Relay (Volt Free Contacts)2A @ 30VDC / 0.5A @ 125VAC
- Current Loop Output 15.0mA ±1.0mA (reset state) / 19.0mA ±1.0mA (set state)