



Online Electronics Ltd.
Online House, Blackburn Business Park
Woodburn Road, Blackburn
Aberdeen, AB21 0PS, UK
Tel: +44 (0)1224 714714
OEL-Sales@ik-worldwide.com.com
www.online-electronics.com



An IK Group Company



Collaborate • Innovate • Succeed

Channel Partner

Royal Mechanical Group Pty Ltd
Level 14, 197 St. Georges Tce,
Perth, WA 6000, Australia
+61 (0) 452 506 896
www.royalmechgroup.com
Sales@royalmechgroup.com

4003D NON-INTRUSIVE MAGNETIC PIG SIGNALLER

The Online 4003D is a non-intrusive pig signaller which quickly and accurately detects, signals, and logs the passage of magnetic pigs at critical points along a pipeline both on land and offshore.

Key Benefits:

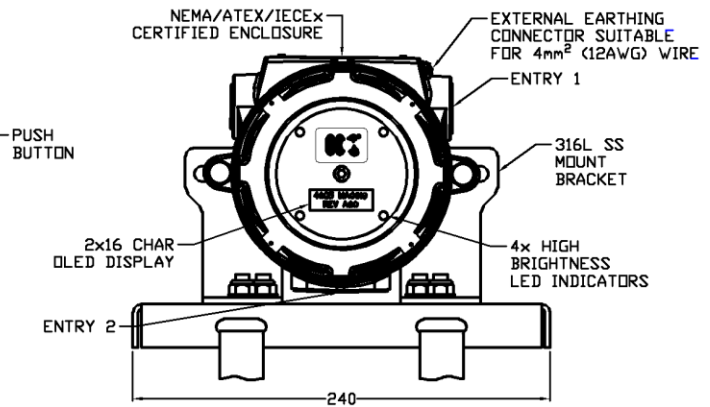
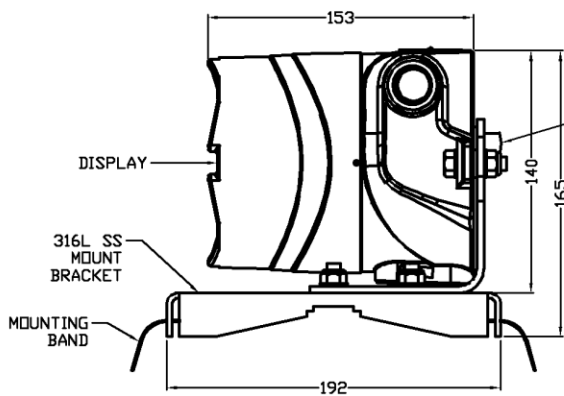
- Quick and easy installation using ratchet straps or stainless steel banding
- Minimal set up required ensuring time is not lost setting up multiple parameters
- Versatile – can be installed on any pipeline with wall thickness up to 50mm, (2") carrying any medium and with pigs running at varying speeds
- No location restrictions – can be located on major barrel and the magnetic sensor can be supplied on a cable up to 20m (65 Ft) long for use with buried pipelines or where access is limited.
- 100 events are logged locally for display. Magnetic event history can be loaded on a removable SD card for background history review.¹
- Complete skid mounted systems for remote site locations are available inclusive of Solar Power recharging systems and Satellite communication.

High Intensity LED indicators and the internal electronic display signal pig passage locally. For remote signalling, DPDT (VFC) dry relay, 4-20mA, and satellite communication options are available. Bluetooth and RS485 MODBUS permits two-way communication for remote programming and data download. The unit logs the time and date of up to 100 events in local non-volatile memory. A removable SD card enables detailed history of sensor data over time. The user can turn the unit ON and OFF as well as modify several settings locally by using a single control button and easy to use menu system.

A heater is provided as a standard feature in externally powered units. While temperature range varies with the type of power supply selected, temperature extremes from -50°C to +85°C (-58°F to +185°F) can be accommodated. The OLED Display selected is a rugged and readable option to LCD screens requiring no backlight in low light conditions.

The unit is offered in Aluminium and SS versions depending on the customer requirement. Pipeline mount and pole/post mounts options are available. For extreme direct sunlight environments sunshades can be provided.





Power

External supply.....	+21.6VDC to +26.4VDC, <1.0W
Battery type.....	Industrial cell 4x Alkaline 1.5V 18Ah D Cells
Battery life in LISTENING/LOW POWER MODE at +20°C.....	1 Year
Battery type.....	2x Lithium Thionyl Chloride 3.6V 17Ah D Cells
Battery life in LISTENING/LOW POWER MODE at +20°C.....	1 Year
Battery type.....	4x NiMH 1.2V 8.5Ah D Cells ⁴
Battery life in LISTENING/LOW POWER MODE at +20°C.....	6 months

Unit Interface(s)

- Bluetooth †
- RS485 MODBUS
- Local Push Button

Outputs

ISA Type II 2 wire and 4 wire configurations	4- 20mA
Relay Output	DPDT Dry Contacts rated 30VDC, 2A ²
Removable SD Card	Micro SD, (32Gb maximum)
Satellite Communication	

Temperature

Temperature range (External supply, where no cells fitted).....	-50°C to +85°C (-58°F to +185°F)
Temperature range (Alkaline 1.5V 18Ah Cells)	-20°C to +50°C (-4°F to +122°F)
Temperature range (Lithium Thionyl Chloride cells)	-40°C to +80°C (-40°F to +176°F)

Enclosure

Enclosure Rating	NEMA 4X / NEMA 7
Entries (other options available).....	2x ¾" NPT
Weight in Aluminium	3.5kg (8lbs)
Weight in Stainless Steel.....	5.5kg (12lbs)

Certifications

ATEX (Internal Sensor)	II 2(1) G Ex db [ia Ga] IIC T4...T6 Gb
ATEX (External Sensor).....	II 1/2 (1) G Ex db ia [ia Ga] IIC T4...T6 Ga/Gb
EC Type Examination Certificate Number	SIRA18ATEX1244X
IECEX Certificate Number.....	SIR 18.0059X
EMC Certificate Number	5024TC1
CSA/CSA-US.....	CSA18CA70166719

CSA US and CLASS 1 Div. 1 Groups A³, B, C, D

- 1 In safe zone
- 2 (Non I.S.) IS Versions see Manual for Chart
- 3 With remote sensor
- 4 ATEX, IECEx only