

Low Pressure Pipe Plugs

www.ik-uk.com
www.royalmechgroup.com



Pipe Schedule: VARIOUS

Size Range: 4" through 36" (Larger sizes on request)

IK-UK's **Low Pressure Pipe Plugs** features the proven principle of the inflatable polyurethane tyre.

The seals are manufactured from high performance polyurethane elastomer.

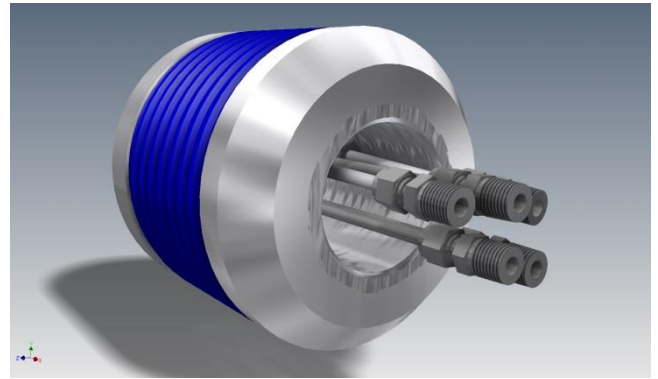
The body is manufactured from high grade carbon steel.

General Function and Application

- Easy to install and remove.
- Non-standard sizes and pressures are available
- Recommended for low pressure hydrostatic test applications up to 5 bar (Size dependent).
- Proven polyurethane inflatable tyres.
- Available for horizontal or vertical applications
- Tyres can be filled and pressurised using water or glycol/water mix.

AVAILABLE FOR HIRE

IK-UK have an extensive range of Low Pressure Pipe Plugs for hire.



Channel Partner

IK-Norway
post@ik-worldwide.com
T: +47 51 44 32 00

Royal Mechanical Group Pty Ltd
sales@royalmechgroup.com
T: +61 (0) 452 506 896

Online Electronics
sales@online-electronics.com
T: + 44 (0) 1224 714714

IK-UK
sales@ik-worldwide.com
T: + 44 (0) 1325 307508